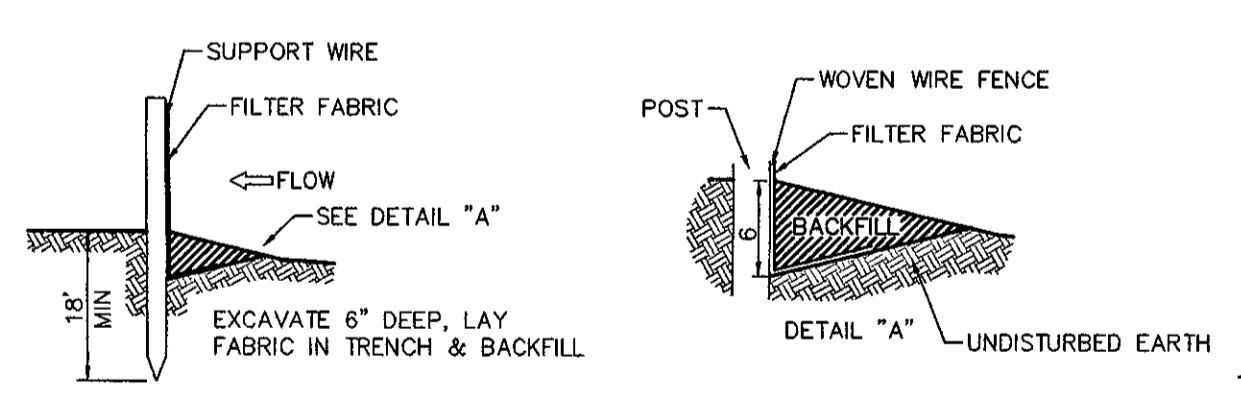
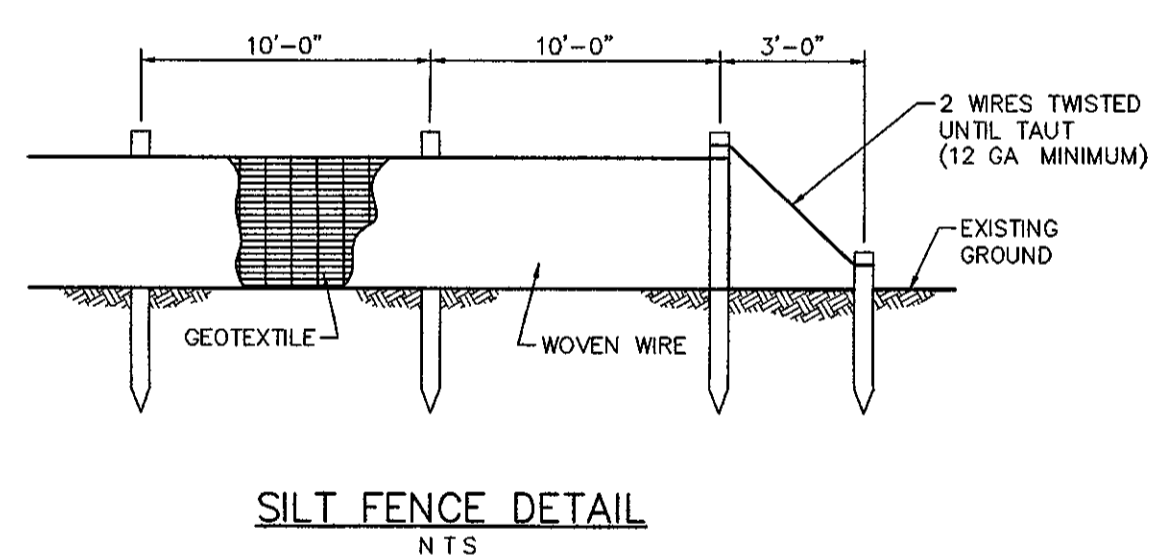
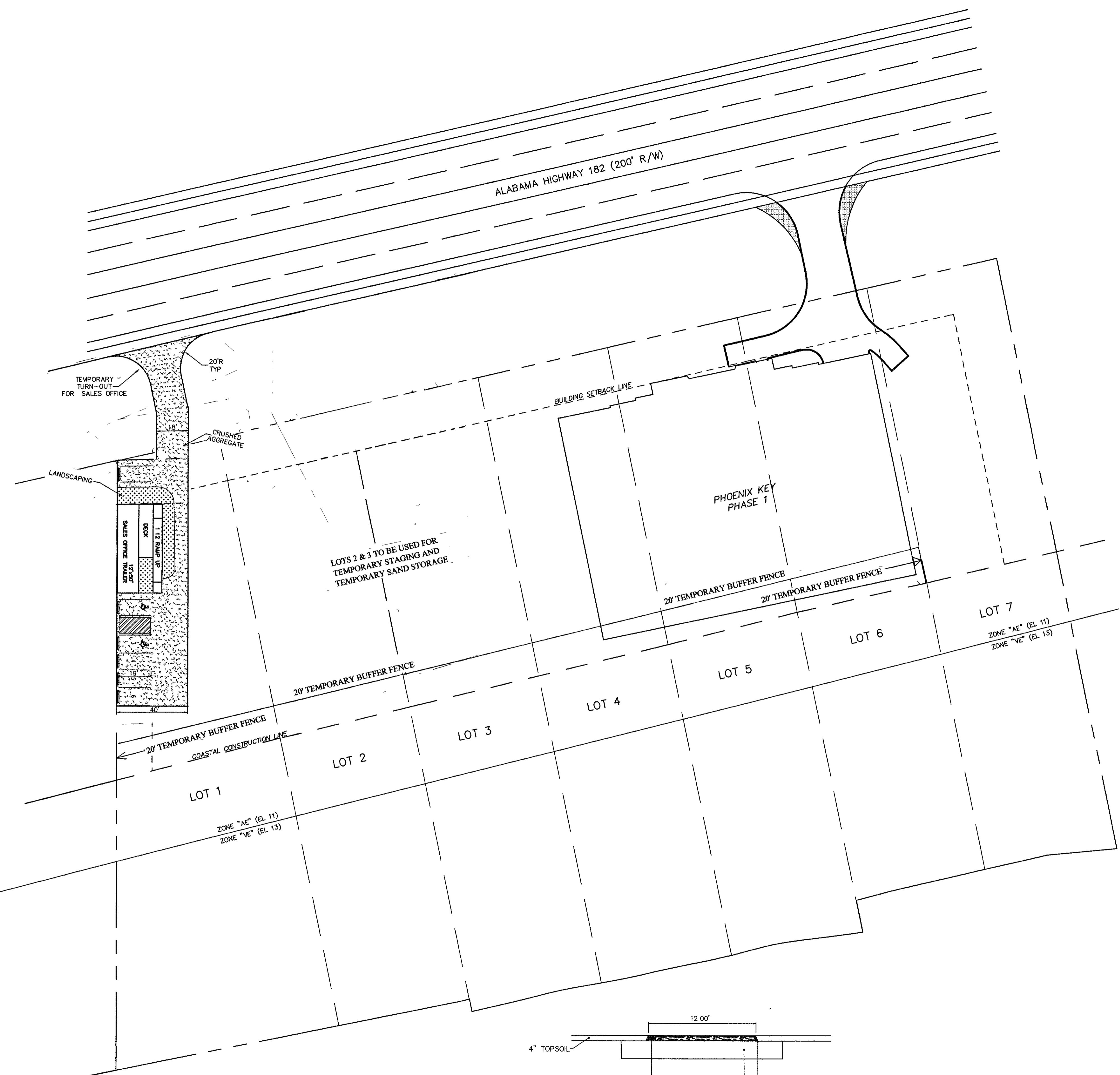


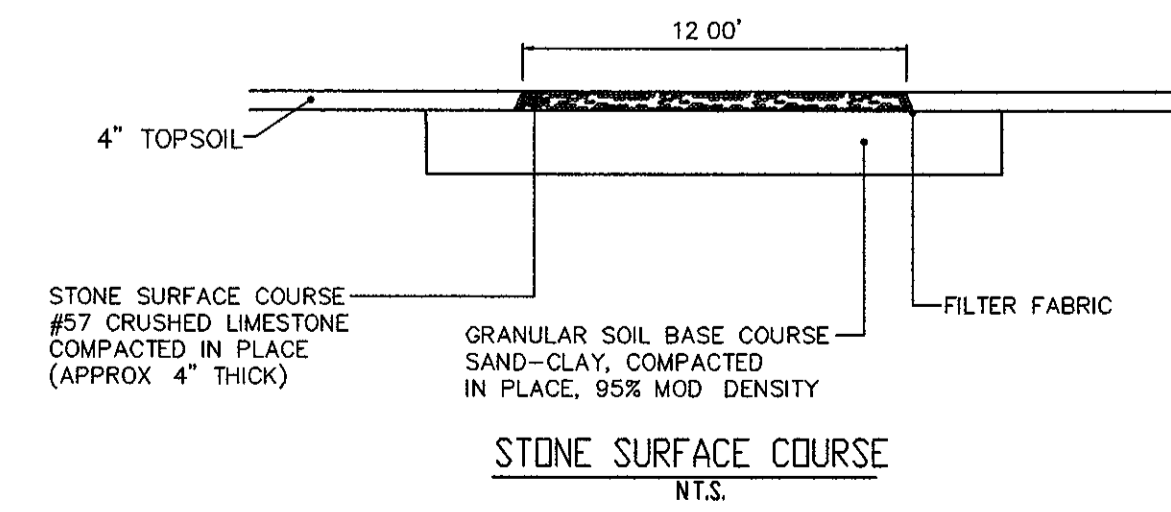
SITE PLAN NOTES:

- 1 THE CONTRACTOR SHALL SIZE, INSTALL AND MAINTAIN ADEQUATE CONTROLS FOR THE SITE. REFER TO THE ALABAMA HANDBOOK FOR EROSION CONTROL, SEDIMENT CONTROL AND STORM WATER MANAGEMENT ON CONSTRUCTION SITES AND URBAN AREAS, LATEST EDITION
- 2 THE CONTRACTOR IS RESPONSIBLE FOR DAILY INSPECTION AND CONTINUED MAINTENANCE OF EROSION CONTROL ELEMENTS
- 3 ANY DISTURBED AREA(S) MAY NOT REMAIN DENUDED LONGER THAN 10 DAYS
- 4 THE AREA SHALL BE FULLY STABILIZED UPON THE COMPLETION OF THE SCOPE OF WORK



SILT FENCE NOTES:

- 1 RING FASTENERS USED TO SECURE GEOTEXTILES TO WOVEN WIRE SHALL BE 13 GA (AMERICAN)
- 2 WOOD POST SHALL BE USED STAPLES FOR SECURING WOVEN WIRE TO POSTS SHALL BE (9) GAUGE, GALVANIZED, 1 1/2" LONG, 5 PER POST AT APPROX 1'-0" O C
- 3 WOVEN WIRE TO BE 12 1/2 GAUGE (MIN)
- 4 AFTER THE CONSTRUCTION AREA IS STABILIZED AND EROSION ACTIVITY CURTAILED, SILT FENCES SHALL BE REMOVED



PROPERTY DESCRIPTION:

STATE OF ALABAMA,
COUNTY OF BALDWIN
LOTS 1-7 EAST PERDIDO KEYS, PHASE 1, AS RECORDED IN SLIDE 1258-B OF THE RECORDS IN THE OFFICE OF THE JUDGE OF PROBATE, BALDWIN COUNTY, ALABAMA;

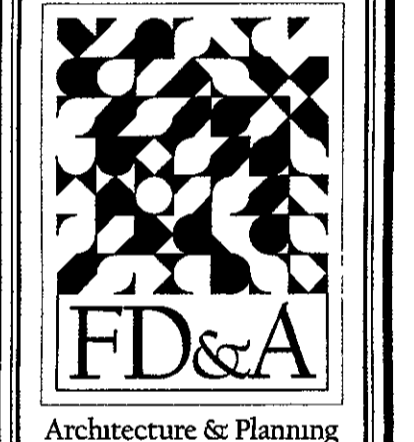
GEOMETRIC SITE PLAN

SCALE 1" = 30'-0"

SPEAKS & ASSOCIATES
CONSULTING ENGINEERS, INC
732 OAK CIRCLE DRIVE WEST
MOBILE, ALABAMA 36609
PHONE (251)666-4546 FAX (251)666-8868
www.speaks.com

PHOENIX KEY
ORANGE BEACH, ALABAMA

FORREST DANIELL & Associates, P C



8007 American Way
Daphne, AL 36526
(251) 625-6490
(251) 625-6494 fax
www.fdanell.com

| |
|-----------|
| DATA |
| SCALE |
| FILE NAME |
| |
| |
| |

REVISIONS 12/27/2022

Buffer Fence & Sales Trailer on Lot 1

| |
|--|
| |
| |
| |
| |

FILE FD21019
DATE MARCH 2, 2022